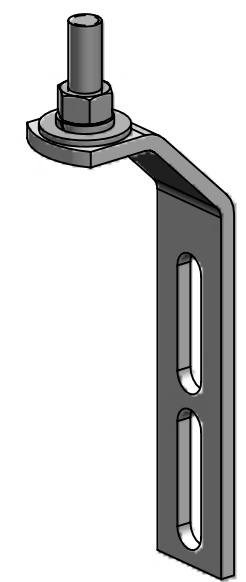
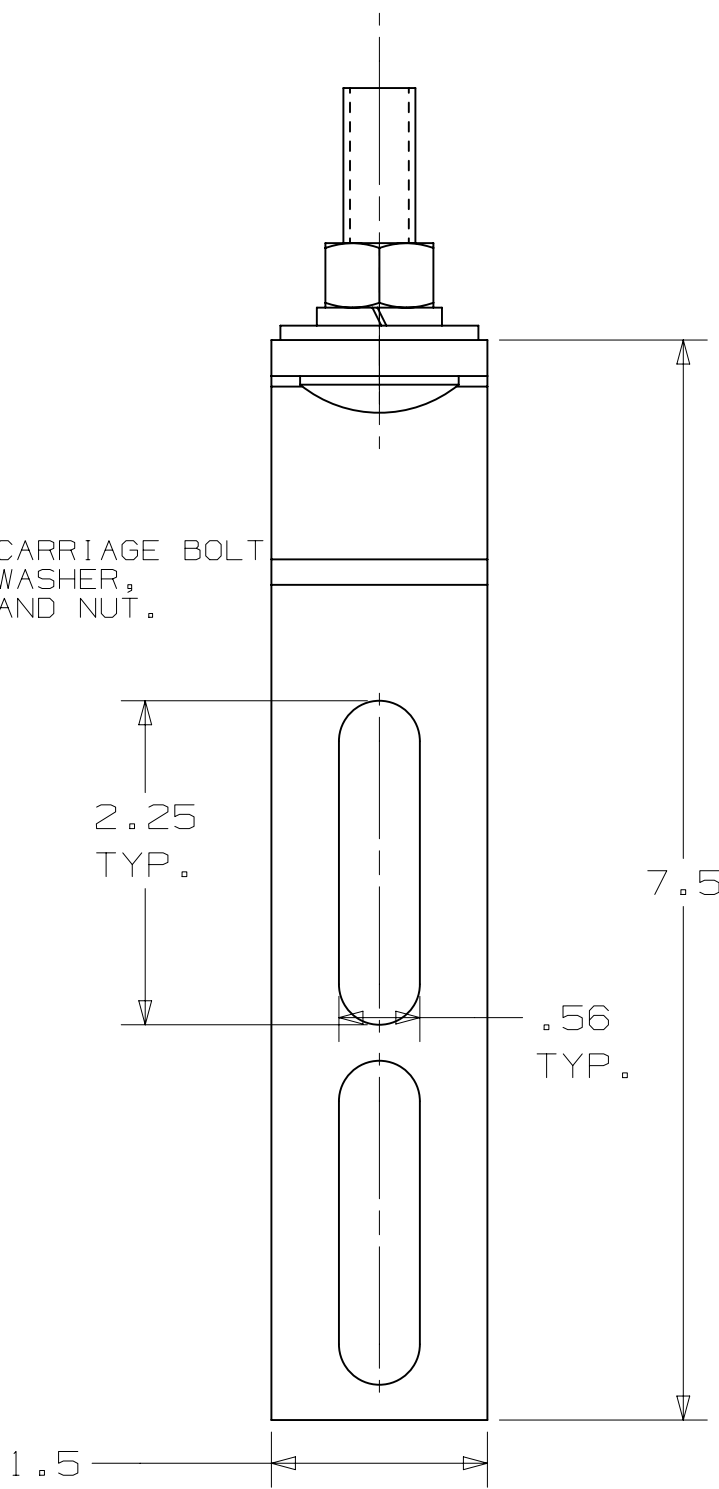


1/2" X "A" CARRIAGE BOLT WITH ROUND WASHER, LOCKWASHER AND NUT.

COPPER GROUND STRAP SUPPLIED WITH TWO 1/2" X 1" HEX HEAD BOLTS, ROUND WASHERS, AND LOCKWASHERS (DM59B1 & PSC2060982 ONLY).



NOTES :

- 1.) ASSEMBLED COMPLETE AS SHOWN.
- 2.) HOT DIP GALVANIZED PER ASTM A153 (LATEST REVISION)

CATALOG NO.	"A"
DM59B1	2.0
DM59B5	2.0
PSC2060982	1.5

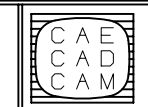
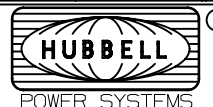
LATEST EC NO:	REV.	DATE	CHANGED BY	RESP ENGINEER
--	B	04/14/14	WILSON	WILSON

DO NOT SCALE THIS DWG

THIRD ANGLE PROJECTION

ISO DUAL DIMENSIONS
IN=INCH, MM=MILLIMETER

DRN BY:	DATE	TITLE:	SIZE
LURKINS	01-07-08	MOUNTING BRACKET	B



DWG NO: SADM59B5

CONFIDENTIAL: THIS DRAWING AND ITS CONTENTS ARE CONFIDENTIAL AND THE EXCLUSIVE PROPERTY OF HUBBELL / A.B. CHANCE COMPANY. NO PUBLICATION, DISTRIBUTION OR COPIES MAY BE MADE WITHOUT WRITTEN CONSENT BY HUBBELL / A.B. CHANCE COMPANY. © 2001 HUBBELL/A.B. CHANCE. UNPUBLISHED - ALL RIGHTS RESERVED UNDER THE COPYRIGHT LAWS